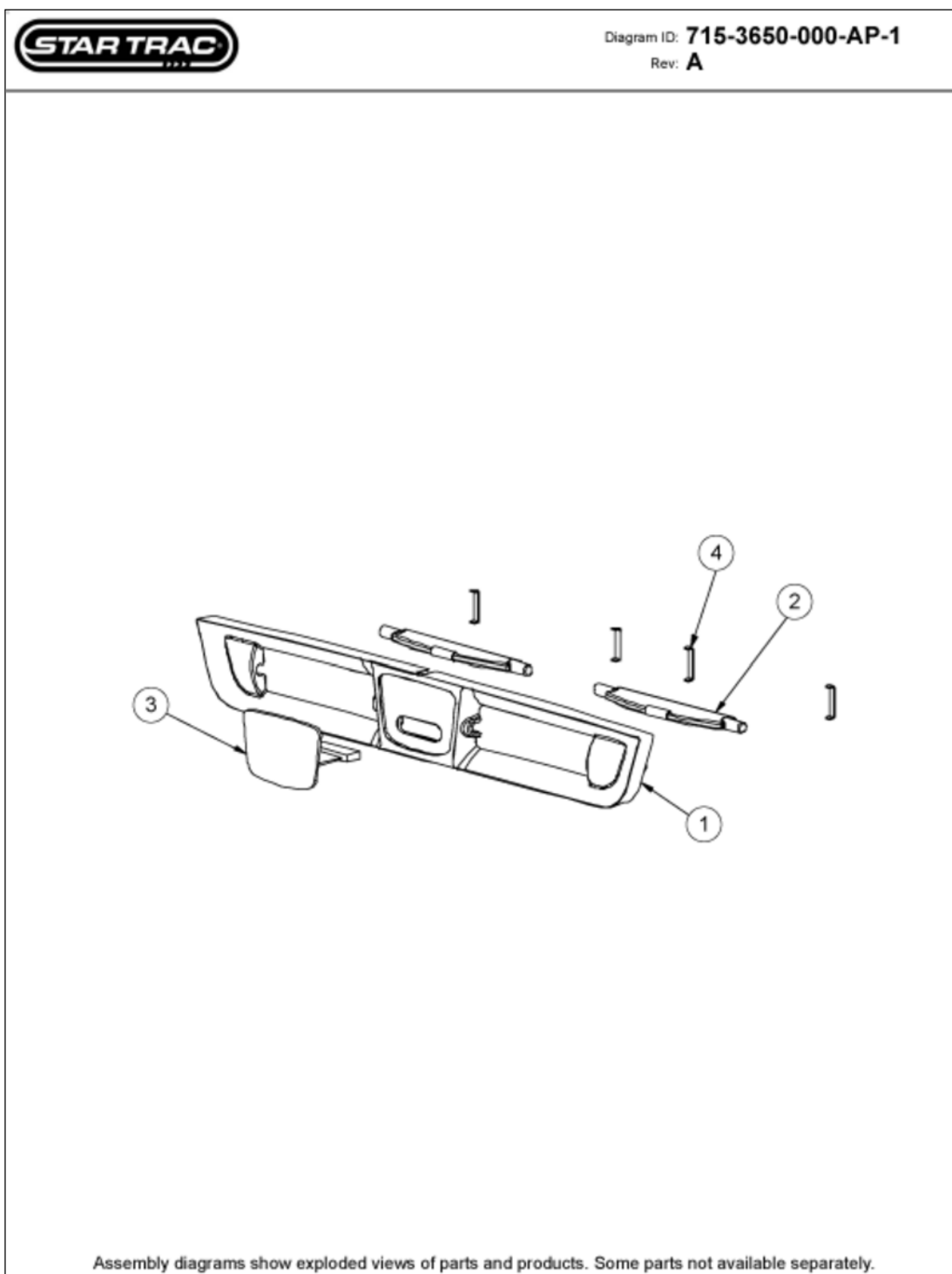


# CARDIO • Treadmill • E Series Treadmill • E-TR (G1)

## Air Vent



Slide: 1-1-13-33 • PD ID: 1033 • PROD Link ID: • D ID: 599

October 23, 2009

## Air Vent

---

<b>Callout</b>	<b>Part Number:</b>	<b>Description</b>
1	<a href="#">020-7075</a>	BEZEL, FAN VENT TR
2	<a href="#">020-7076</a>	LOUVERS, FAN VENT TR
3	<a href="#">050-2026</a>	KEYPAD, FAN CONTROL
4	<a href="#">140-3394</a>	CLIP, RETAINER, AIR VENT

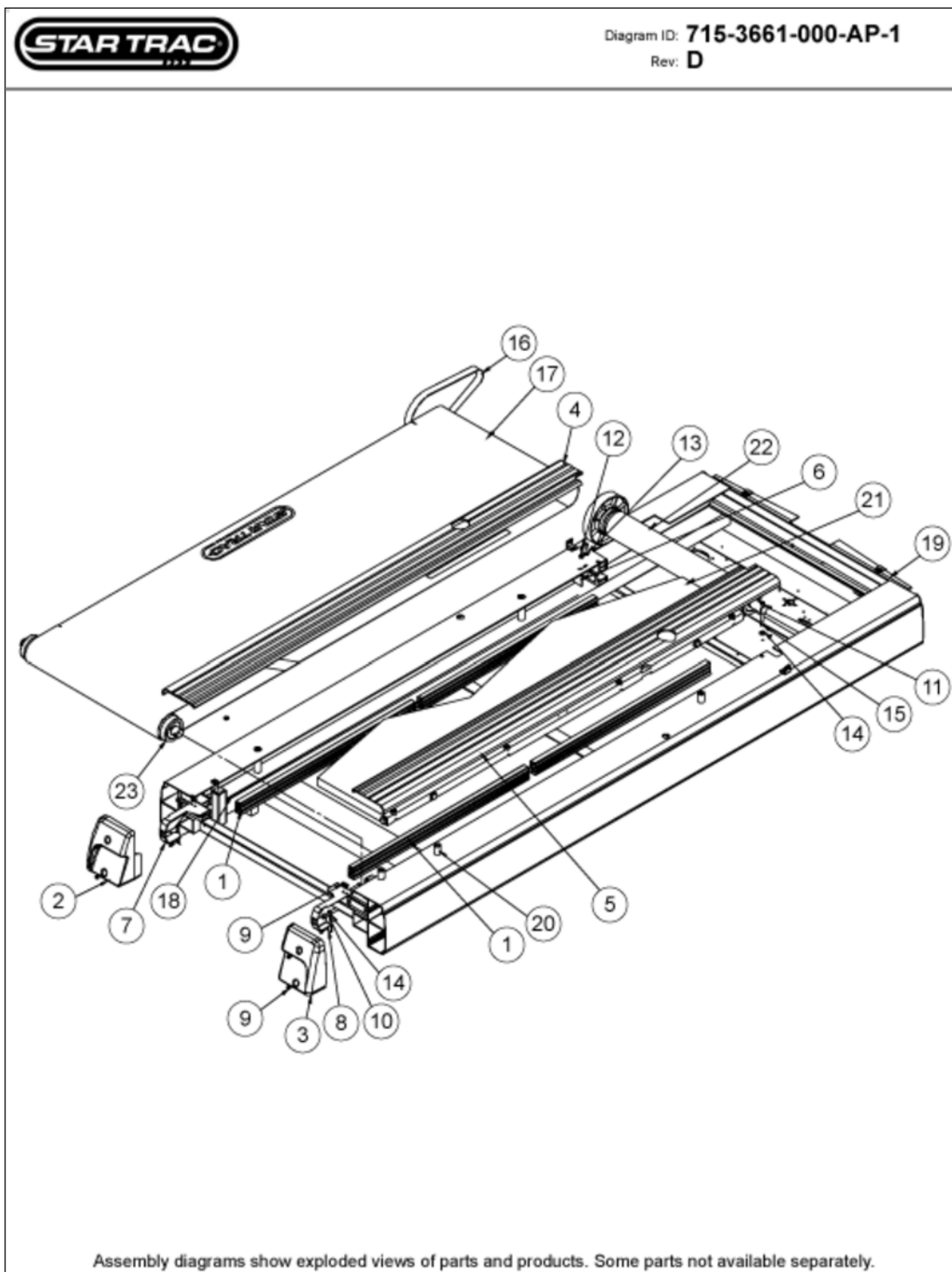
---

Parts are subject to availability. Part pricing may change with or without notice.  
Check the Star Trac Support Website <http://support.startrac.com> for current part pricing.

October 23, 2009

# CARDIO • Treadmill • E Series Treadmill • E-TR (G1)

## Base Frame Assy



Slide: 1-1-13-33 • PD ID: 1033 • PROD Link ID: • D ID: 606

October 23, 2009

## Base Frame Assy

---

<b>Callout</b>	<b>Part Number:</b>	<b>Description</b>
1	<a href="#">010-3106</a>	DECK RUBBER, 53.5"
2	<a href="#">020-6241-01</a>	ENDCAP, LT, PRO TR
3	<a href="#">020-6241-02</a>	ENDCAP, RT, PRO TR
4	<a href="#">020-6344-01</a>	SIDEBED COVER EXTR, LT, PRO TR
5	<a href="#">020-6344-02</a>	SIDEBED COVER EXTR, RT, PRO TR
6	<a href="#">020-6388</a>	BRKT, DECK STOP
7	<a href="#">020-7254-01</a>	BRACKET, FINGER GUARD, LEFT
8	<a href="#">020-7254-02</a>	BRACKET, FINGER GUARD, RIGHT
9	<a href="#">110-0475</a>	SCREW, 10-32X1/2" PHCS, BLK OXD
10	<a href="#">110-0651</a>	SCREW, 5/16-18X1.75" SHCS THR
11	<a href="#">110-3056</a>	SCREW, 5/16-18X2.0" SHCS
12	<a href="#">110-3109</a>	SCREW, 10-24X1/2" SHCS
13	<a href="#">120-0341</a>	WASHER, #10 FLAT SAE
14	<a href="#">120-0490</a>	WASHER, 5/16 X1/2" FLAT
15	<a href="#">120-0496</a>	WASHER, 5/16" LOCK
16	<a href="#">130-1695</a>	BELT, DRIVE, 270J10, POLY-V
17	<a href="#">130-1708</a>	BELT, RUNNING, WAXLESS, PRO TR
19	<a href="#">710-1070-05</a>	FRAME, PAINTED, NO LOAD CELL,
20	<a href="#">715-3196</a>	DELTRIN STOP ROD W/SCREW
21	<a href="#">800-3984</a>	DECK, DBL-SIDED, WAXLESS, PRO
22	<a href="#">715-3715</a>	ROLLER, HEAD, 3.0", FLAT
23	<a href="#">715-3717</a>	ROLLER, TAIL, 3.0", FLAT

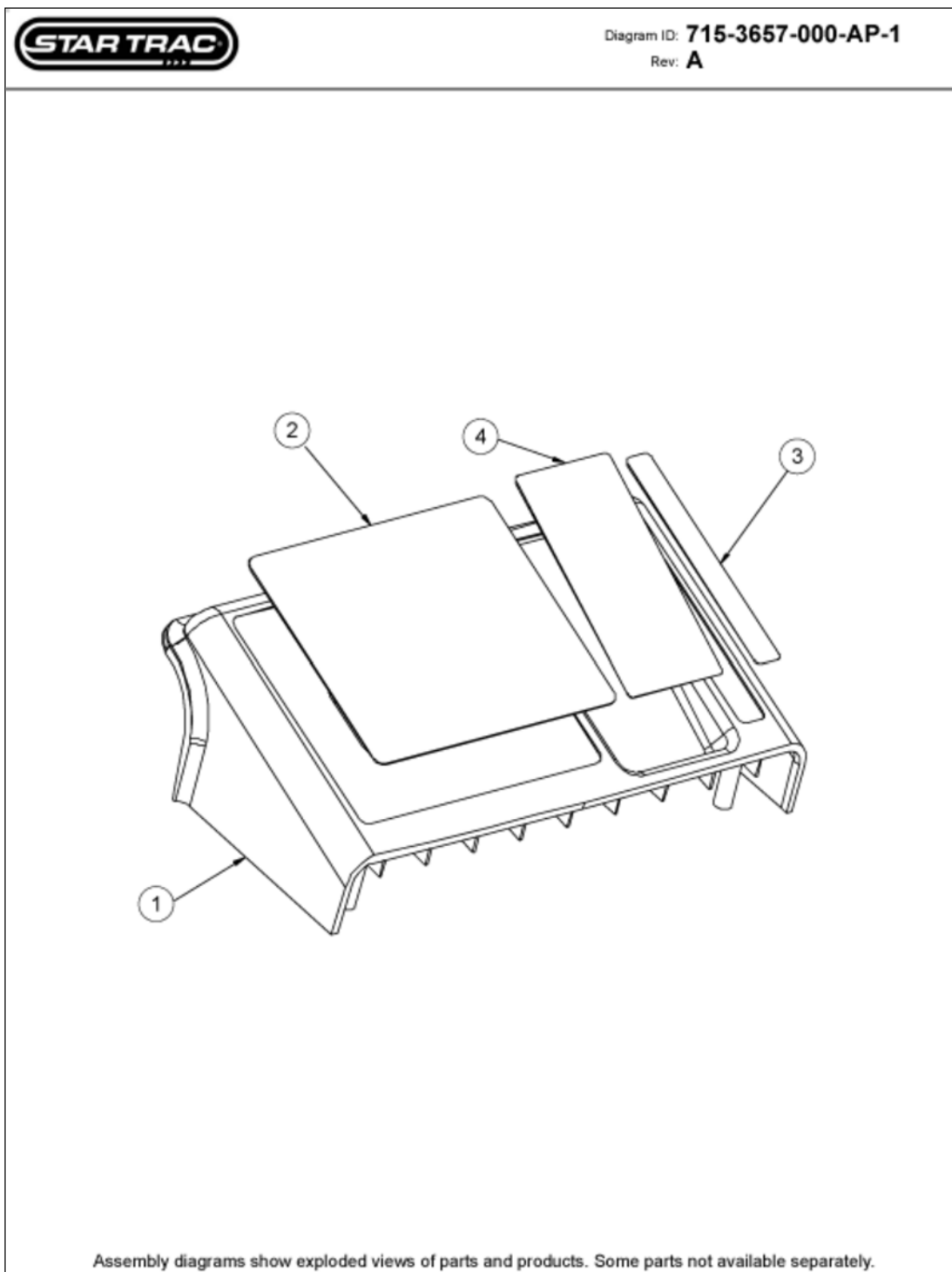
---

Parts are subject to availability. Part pricing may change with or without notice.  
Check the Star Trac Support Website <http://support.startrac.com> for current part pricing.

October 23, 2009

## CARDIO • Treadmill • E Series Treadmill • E-TR (G1)

### Center Console



Slide: 1-1-13-33 • PD ID: 1033 • PROD Link ID: • D ID: 600

October 23, 2009

### Center Console

---

<b>Callout</b>	<b>Part Number:</b>	<b>Description</b>
1	<a href="#">020-7072</a>	CONSOLE, CENTER, TR
2	<a href="#">050-2030</a>	KEYPAD, CC, TREADMILL, BASIC
3	<a href="#">050-2053</a>	LABEL, CC, TREADMILL, NO-ENTR
4	<a href="#">050-2078</a>	LABEL, CAUTION, DISPLAY, VLAD

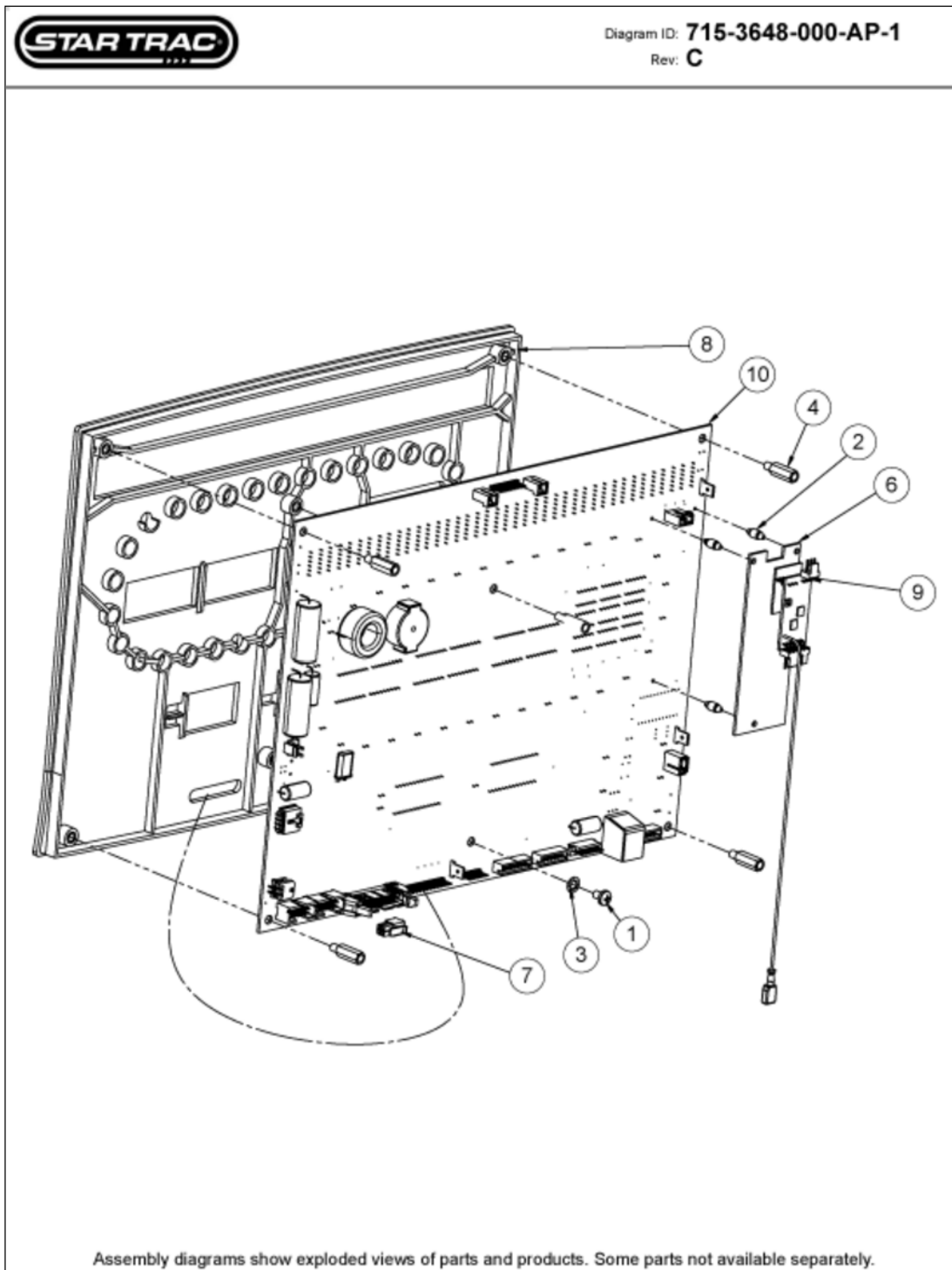
---

Parts are subject to availability. Part pricing may change with or without notice.  
Check the Star Trac Support Website <http://support.startrac.com> for current part pricing.

October 23, 2009

# CARDIO • Treadmill • E Series Treadmill • E-TR (G1)

## Display Assy



Slide: 1-1-13-33 • PD ID: 1033 • PROD Link ID: • D ID: 598

October 23, 2009

## Display Assy

---

<b>Callout</b>	<b>Part Number:</b>	<b>Description</b>
1	<a href="#">110-3407</a>	SCREW, M4X0.7X 6L, PHM, PH, BO
2	<a href="#">120-3244</a>	STANDOFF, 1/8"DIA X 3/16" NYLO
3	<a href="#">120-3258</a>	<b>*OBSOLETE*</b>
4	<a href="#">120-3304</a>	STANDOFF, M/F, M4X.07, 16MM L
5	<a href="#">140-0665</a>	DOUBLE SIDED TAPE
6	<a href="#">140-3330</a>	<b>*OBSOLETE*</b>
7	<a href="#">715-3482</a>	JUMPER, STOP SW BYPASS
8	<a href="#">715-3647-KT</a>	KIT, KEYPAD PLASTIC, PRO TR,
9	<a href="#">715-3675</a>	PCBA, SALUTRON 4000, VLAD
10	<a href="#">715-3845</a>	ASSY, DISP BOAR LED,USB, E-TR

---

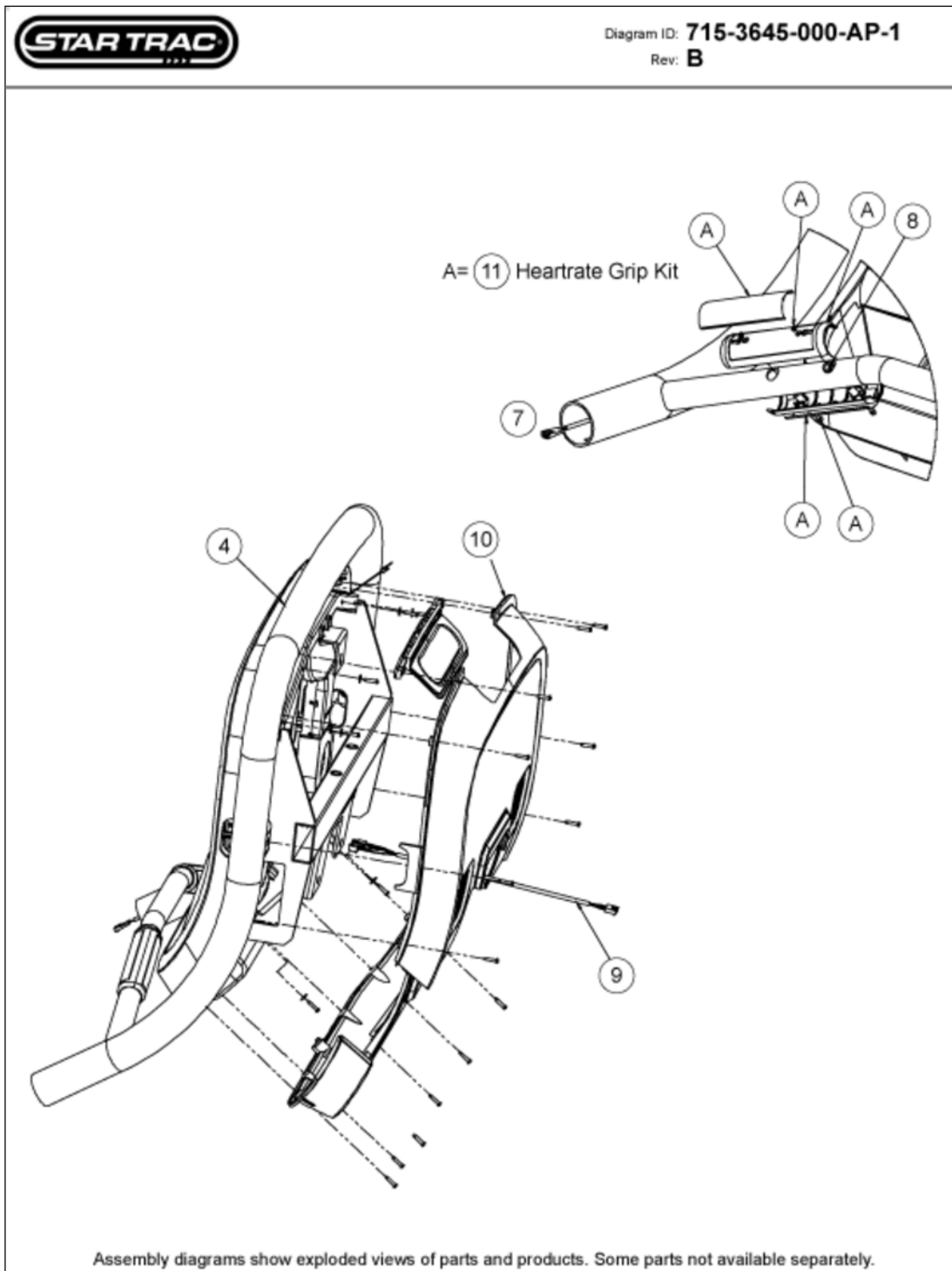
Parts are subject to availability. Part pricing may change with or without notice.  
Check the Star Trac Support Website <http://support.startrac.com> for current part pricing.

October 23, 2009



# CARDIO • Treadmill • E Series Treadmill • E-TR (G1)

## Display Assy Upper



## Display Assy Upper

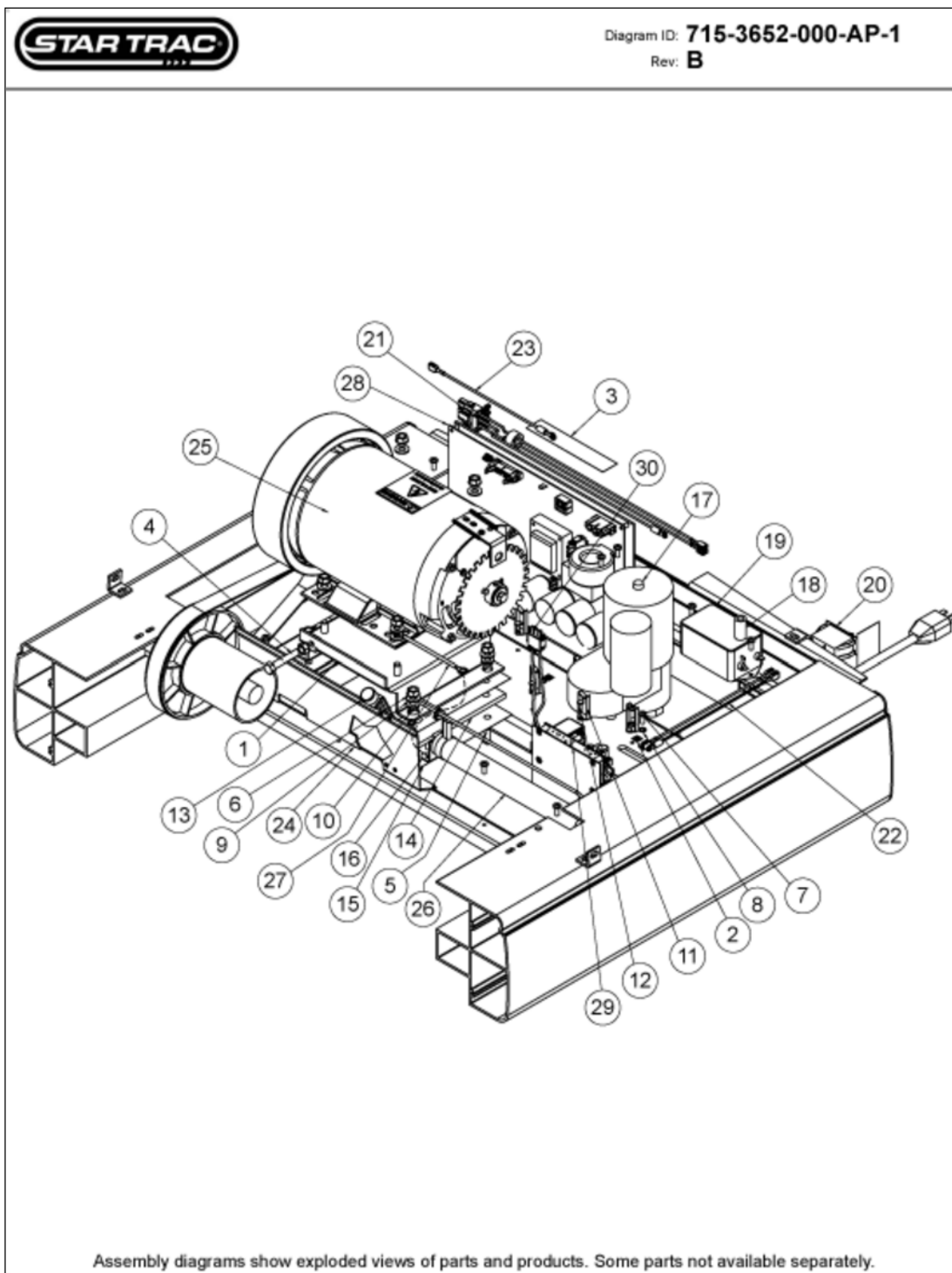
Callout	Part Number:	Description
4	<a href="#">020-7037</a>	RAIL, TOP, HR, PRO TR
7	<a href="#">715-3416</a>	CABLE ASSY, STOP SW, EXTN
8	<a href="#">715-3425</a>	SPLITTER, HR GRIP
9	<a href="#">715-3678</a>	HARNESS, DC SUPPLY, PRO TR
10	<a href="#">715-3649</a>	ASSY, MAIN CONSOLE, PRO TR,
11	<a href="#">800-3904</a>	HR GRIP KIT, ONE SIDE

Parts are subject to availability. Part pricing may change with or without notice.  
Check the Star Trac Support Website <http://support.startrac.com> for current part pricing.

October 23, 2009

# CARDIO • Treadmill • E Series Treadmill • E-TR (G1)

## Electrical Assy Lower 110V



Assembly diagrams show exploded views of parts and products. Some parts not available separately.

# Electrical Assy

## Lower 110V

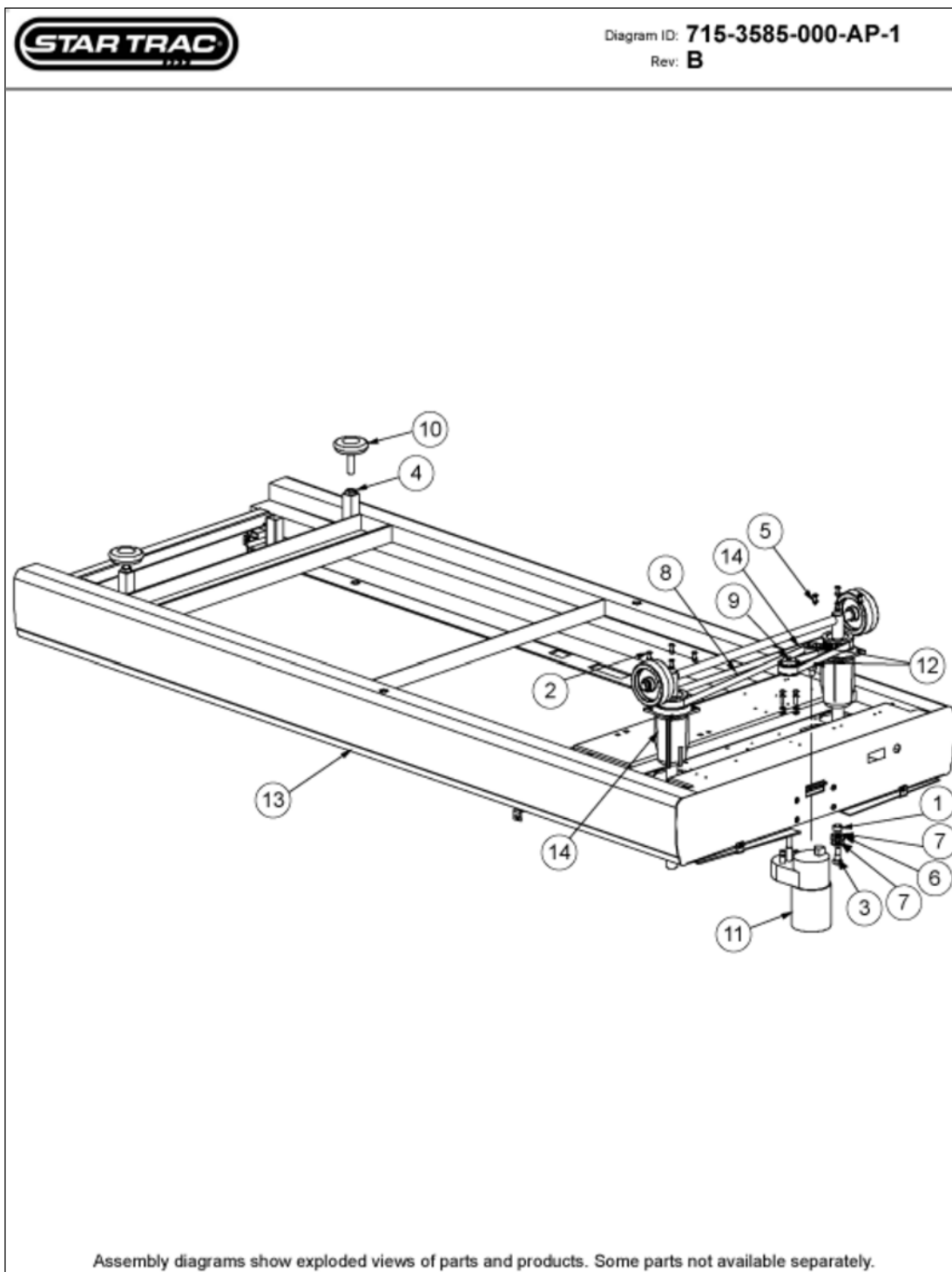
Callout	Part Number:	Description
1	<a href="#">020-6783</a>	BRACKET, MOTOR BASE, FIXED, AC
2	<a href="#">050-0411</a>	LABEL, GROUND UL/CSA
3	<a href="#">050-1815</a>	LABEL, WARNING, FIRE HAZARD
4	<a href="#">110-1510</a>	BOLT, 5/16-18X1.75"
5	<a href="#">110-1516</a>	BOLT, 5/16-18X1.0" CARRIAGE
6	<a href="#">110-1870</a>	NUT, 5/16-18
7	<a href="#">110-3026</a>	SCREW, 10-24X3/4" PHTCS
8	<a href="#">120-0220</a>	WASHER, #10 EXT TOOTH
9	<a href="#">120-3023</a>	WASHER, 5/8IDX1.0"
10	<a href="#">120-3264</a>	WASHER, SHOULDER,5/16IDX.15L
11	<a href="#">140-3232</a>	CLAMP, WIRE, SADDLE, 1.0"
12	<a href="#">140-3234</a>	RIVET, SNAP, .161" HOLE
13	<a href="#">140-3240</a>	BUMPER, RUBBER, 3/4X7/16X8-32
14	<a href="#">140-3268</a>	GASKET, MOTOR PAD,1.2X.25X7.0
15	<a href="#">140-3270</a>	INSULATOR, MOTOR PAD, MYLAR
16	<a href="#">170-0688</a>	BRKT, RESISTOR MOUNT
17	<a href="#">260-0235</a>	MOTOR, ELEV, 110VAC
18	<a href="#">440-0252</a>	FERRITE, 04311164281
19	<a href="#">440-0257</a>	EMI FLTR, 110/220V
20	<a href="#">470-0190</a>	SWITCH, PWR, ON/OFF BRKR, 110V 18A
21	<a href="#">715-3412</a>	CABLE, POWER, EMI-MCB
22	<a href="#">715-3413</a>	CABLE, BRKR-EMI
23	<a href="#">715-3457</a>	CABLE, GROUND WIRE
24	<a href="#">715-3484</a>	DUST GUARD ASSY
25	<a href="#">715-3573</a>	<b>*ALT* USE PART # 715-3573-KT</b>
26	<a href="#">715-3588</a>	ASSY, RESISTOR, 200W, 1K OHM
27	<a href="#">715-3611</a>	BLEEDER ASSY, AC UNITS
28	<a href="#">715-3617</a>	MCB, 110V, AC SYSTEM
29	<a href="#">715-3672-KT</a>	KIT, ASSY, FAN POWER SUPPLY,
30	<a href="#">715-3674</a>	CABLE, POWER SUPPLY, AC-SYSTEM

Parts are subject to availability. Part pricing may change with or without notice.  
Check the Star Trac Support Website <http://support.startrac.com> for current part pricing.

October 23, 2009

# CARDIO • Treadmill • E Series Treadmill • E-TR (G1)

## Elevation Assy



Slide: 1-1-13-33 • PD ID: 1033 • PROD Link ID: • D ID: 595

October 23, 2009

## Elevation Assy

---

<b>Callout</b>	<b>Part Number:</b>	<b>Description</b>
1	<a href="#">020-4604</a>	SPACER, 1/2X3/4X.31"
2	<a href="#">110-3119</a>	SCREW, 1/4-20X3/4" BHCS,LOCTITE
3	<a href="#">110-0711</a>	BOLT, 1/2X1/2" SH
4	<a href="#">110-1823</a>	NUT, 1/2-13X5/16" JAM
5	<a href="#">120-0420</a>	WASHER, 1/4" LOCK
6	<a href="#">120-3029</a>	WASHER, 1/2X1.25"
7	<a href="#">120-3030</a>	WASHER, 1/2"
8	<a href="#">130-0050</a>	BELT, ELEV, 1595-5M15
9	<a href="#">130-0250</a>	PULLEY, ELEV MTR, 2/3/15/1000
10	<a href="#">140-3200</a>	ADJUSTABLE FOOT, 1/2-13X3.0"
11	<a href="#">260-0235</a>	MOTOR, ELEV, 110VAC
12	<a href="#">800-0225</a>	ELEV, IDLER PULLEY ASSY
13	<a href="#">710-1055</a>	FRAME, FINISHED, NO LOAD CELL
14	<a href="#">715-3364</a>	ELEV, SUB ASSY

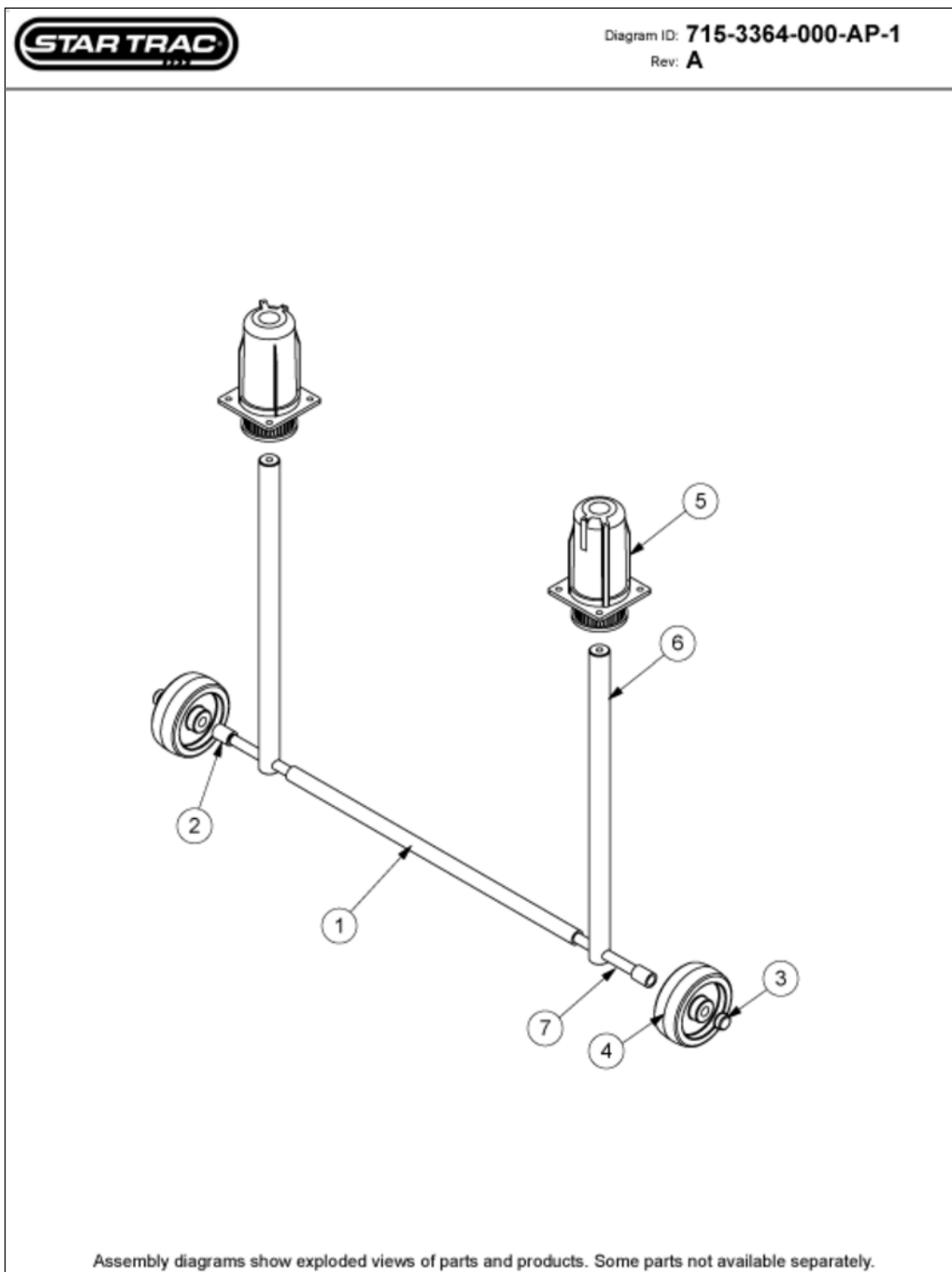
---

Parts are subject to availability. Part pricing may change with or without notice.  
Check the Star Trac Support Website <http://support.startrac.com> for current part pricing.

October 23, 2009

# CARDIO • Treadmill • E Series Treadmill • E-TR (G1)

## Elevation Sub-Assy



Slide: 1-1-13-33 • PD ID: 1033 • PROD Link ID: • D ID: 611

October 23, 2009

## Elevation Sub-Assy

---

<b>Callout</b>	<b>Part Number:</b>	<b>Description</b>
1	<a href="#">020-6266</a>	SLEEVE, ELEV AXLE
2	<a href="#">020-6268</a>	SPACER, ELEVATION
3	<a href="#">110-1415</a>	AXLE PUSH CAP, 1/2"
4	<a href="#">130-1694</a>	WHEEL, 4X1.5X1/2" BORE
5	<a href="#">708-0151</a>	ELEV CAN
6	<a href="#">715-0110</a>	ELEV SCREW, DRILLED
7	<a href="#">715-3430</a>	ELEV AXLE, 1/2" DIA

---

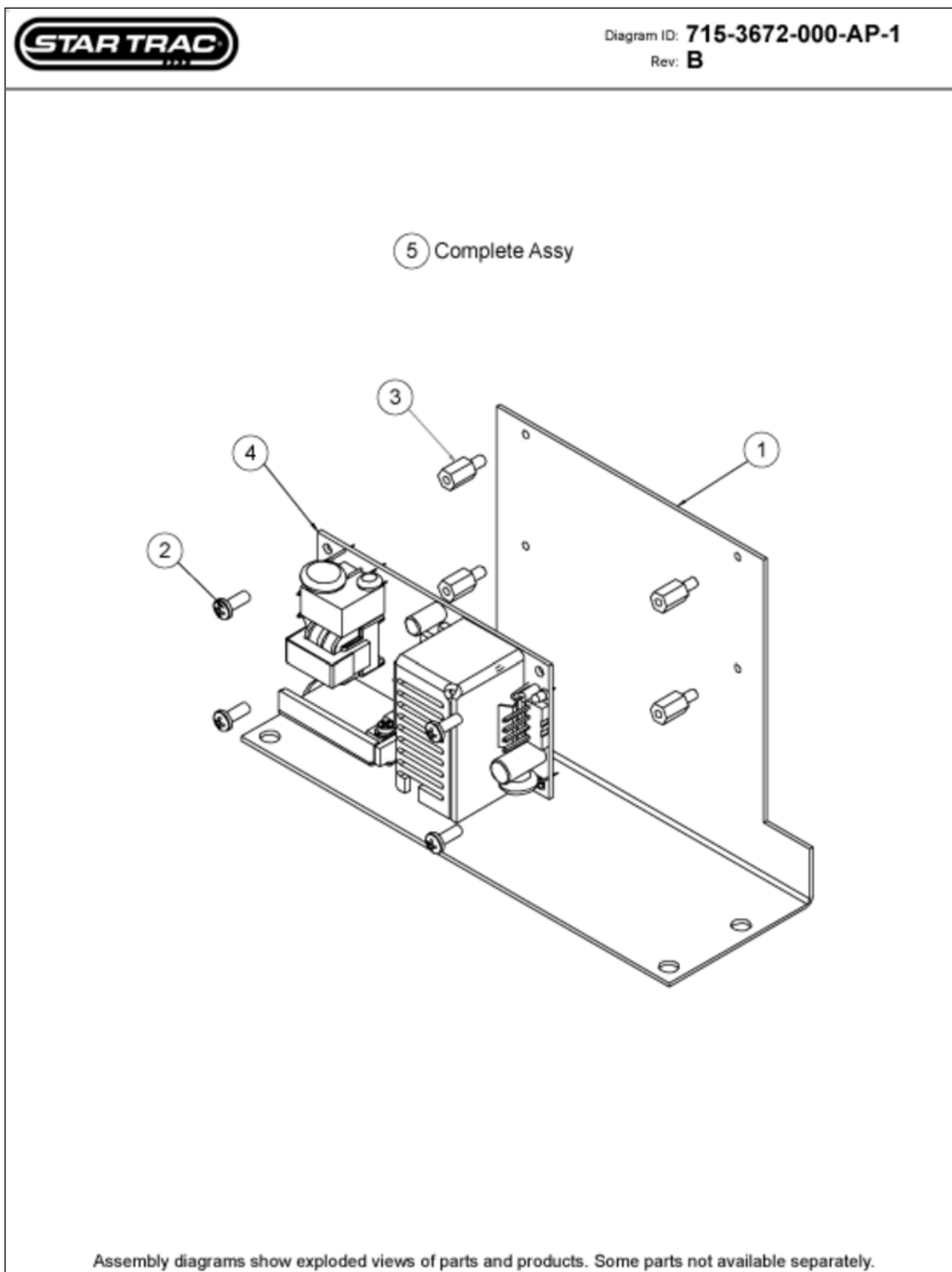
Parts are subject to availability. Part pricing may change with or without notice.  
Check the Star Trac Support Website <http://support.startrac.com> for current part pricing.

October 23, 2009



## CARDIO • Treadmill • E Series Treadmill • E-TR (G1)

# Fan Power Supply



Slide: 1-1-13-33 • PD ID: 1033 • PROD Link ID: • D ID: 605

October 23, 2009

# Fan Power Supply

---

Callout Part Number:	Description
5 <a href="#">715-3672-KT</a>	KIT, ASSY, FAN POWER SUPPLY,

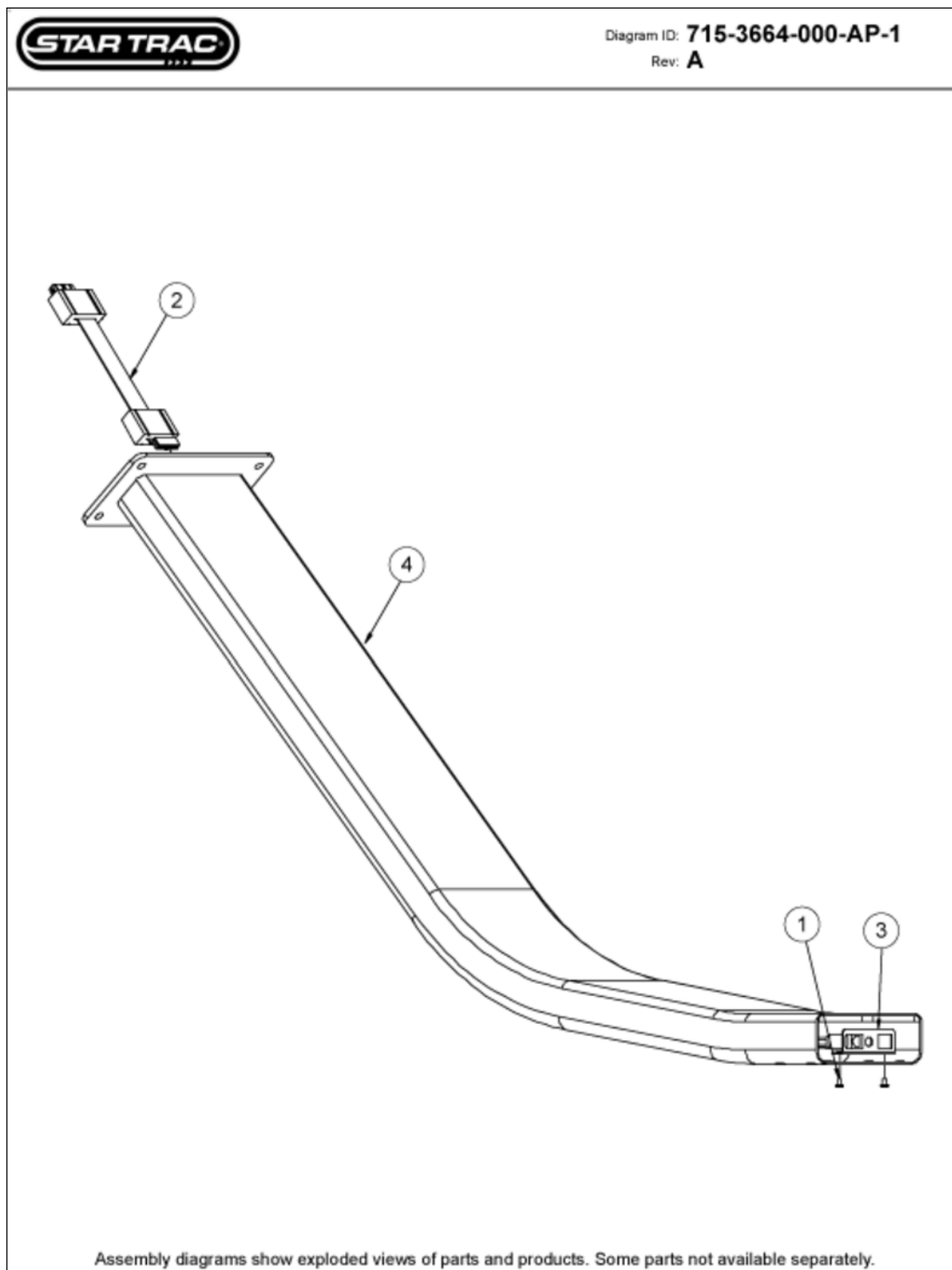
---

Parts are subject to availability. Part pricing may change with or without notice.  
Check the Star Trac Support Website <http://support.startrac.com> for current part pricing.

October 23, 2009

# CARDIO • Treadmill • E Series Treadmill • E-TR (G1)

## Front Neck



Slide: 1-1-13-33 • PD ID: 1033 • PROD Link ID: • D ID: 602

October 23, 2009

## Front Neck

---

<b>Callout Part Number:</b>	<b>Description</b>
1 <b>110-3407</b>	SCREW, M4X0.7X 6L, PHM, PH, BO
2 <b>715-3411</b>	DISP CABLE (DATA)
3 <b>715-3663</b>	ASSY, ENTR, HARNESS, TREAD
4 <b>020-7036</b>	WELDMENT, FRONT RAIL, PRO TR,

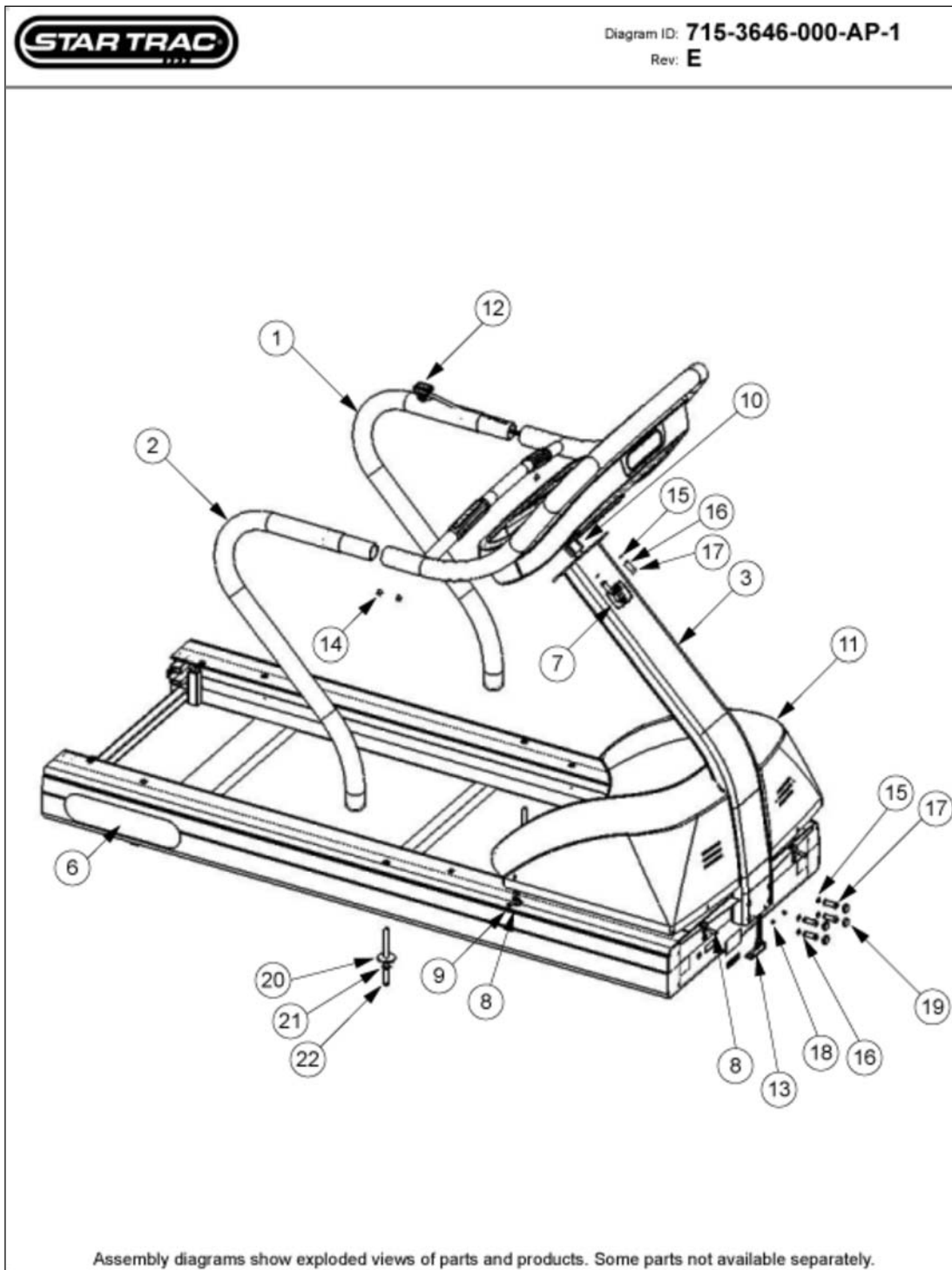
---

Parts are subject to availability. Part pricing may change with or without notice.  
Check the Star Trac Support Website <http://support.startrac.com> for current part pricing.

October 23, 2009

# CARDIO • Treadmill • E Series Treadmill • E-TR (G1)

## Handrail Assy



Slide: 1-1-13-33 • PD ID: 1033 • PROD Link ID: • D ID: 601

October 23, 2009

## Handrail Assy

---

<b>Callout</b>	<b>Part Number:</b>	<b>Description</b>
1	<a href="#">020-6239-05</a>	RAIL, SIDE,LEFT,PRO TR
2	<a href="#">020-6240-05</a>	RAIL, SIDE,RIGHT,PRO TR
3	<a href="#">020-7036</a>	WELDMENT, FRONT RAIL, PRO TR,
4	<a href="#">050-1888</a>	LABEL, PATENT NUMBERS, PRO TR
5	<a href="#">050-2070</a>	LABEL, SERIAL, TV KIT
6	<a href="#">050-2073</a>	LABEL, STAR TRAC, 15X3.55"
7	<a href="#">050-2083</a>	BADGE, PRODUCT, E-TR
8	<a href="#">110-3107</a>	SCREW, 10-24X7/8" ROLOK, PPHS
9	<a href="#">140-3149</a>	TINNERMAN CLIP, #10 NUT
10	<a href="#">715-3411</a>	DISP CABLE (DATA)
11	<a href="#">715-3468-KT</a>	KIT, SHROUD, W/LOGO, PRO TR,
12	<a href="#">715-3565</a>	SWITCH, STOP W/CABLE, PRO TR
13	<a href="#">715-3663</a>	ASSY, ENTR, HARNESS, TREAD
14	<a href="#">110-0506</a>	SCREW, 1/4-28X3/8" BHSS
15	<a href="#">120-0490</a>	WASHER, 5/16 X1/2" FLAT
16	<a href="#">120-0495</a>	WASHER, 5/16" CUT
17	<a href="#">110-3150</a>	SCREW, 5/16-18X1.0" SHCS
18	<a href="#">110-3407</a>	SCREW, M4X0.7X 6L, PHM, PH, BO
19	<a href="#">140-3104</a>	PLUG, 7/8" HOLE
20	<a href="#">120-3298</a>	WASHER, FLAT, .437X2.00X.188
21	<a href="#">120-0480</a>	WASHER, 5/16" CUT
22	<a href="#">110-3162</a>	SCREW, 5/16-18X7.0" CCH,HE,CS,Z

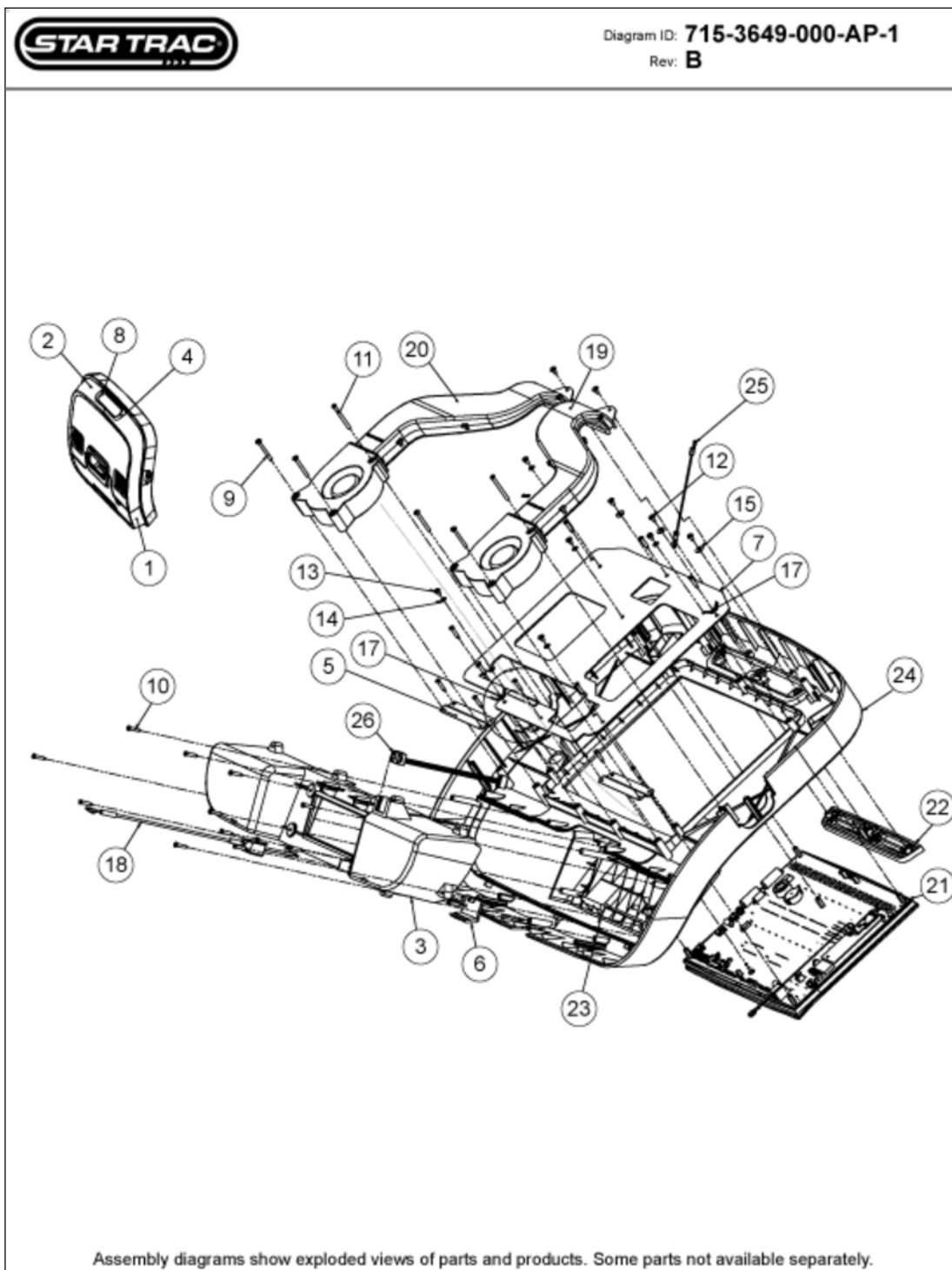
---

Parts are subject to availability. Part pricing may change with or without notice.  
Check the Star Trac Support Website <http://support.startrac.com> for current part pricing.

October 23, 2009

# CARDIO • Treadmill • E Series Treadmill • E-TR (G1)

## Main Console Assy



Slide: 1-1-13-33 • PD ID: 1033 • PROD Link ID: • D ID: 597

October 23, 2009

## Main Console Assy

Callout	Part Number:	Description
1	<a href="#">020-7069</a>	REAR, TOP, TR
2	<a href="#">020-7070</a>	REAR, BOTTOM, TR
3	<a href="#">020-7073</a>	CUP HOLDER, LINING, PRO TR
4	<a href="#">020-7074</a>	CAP, TV BLANK, TR
5	<a href="#">020-7096</a>	BRKT, BLOWER SUPPORT, TR
6	<a href="#">020-7124</a>	HEADPHONE, JACK COVER-TR
7	<a href="#">020-7129</a>	SUPPORT, LED, VLAD, TR
8	<a href="#">050-2066</a>	LOGO, STARTRAC, VLAD, TR
9	<a href="#">110-3170</a>	SCREW, M4X35, SHC,HE,ISO4762
10	<a href="#">110-3402</a>	SCREW, M4X0.7X19L, PHT, PH, CS
11	<a href="#">110-3403</a>	SCREW, M4X0.7X40L,PHT, PH, CS,
12	<a href="#">110-3404</a>	SCREW, M4X0.7X8L, PHT, PH, CS,
13	<a href="#">110-3407</a>	SCREW, M4X0.7X 6L, PHM, PH, BO
14	<a href="#">120-3258</a>	<b>*OBSOLETE*</b>
15	<a href="#">120-3307</a>	WASHER, M4, 4.3MMIDX12MMOD
16	<a href="#">140-3424</a>	TAPE, VELCRO LOOP, DISPLAY, E-
17	<a href="#">240-6901</a>	TAB, QUICK DISCONNECT, .250TIN
18	<a href="#">715-3518-KT</a>	KIT, CABLE, POLAR RECEIVER,PRO
19	<a href="#">715-3642</a>	<b>*ALT* USE PART # 715-3642-KT</b>
20	<a href="#">715-3643</a>	<b>*ALT* USE PART # 715-3643-KT</b>
21	<a href="#">715-3648</a>	ASSY, DISPLAY ELEC, PRO TR,
22	<a href="#">715-3650</a>	ASSY, AIR VENT, TREAD, TV/R
23	<a href="#">715-3657</a>	ASSY, CENTER CONSOLE
24	<a href="#">715-3658-01</a>	ASSY, FRONT SHROUD, W/IMD, TR
25	<a href="#">715-3676</a>	HARNESS, DISP GND STRAP, PRO
26	<a href="#">721-0033</a>	PHONE JACK ASSY, C-SAFE, NR-BK

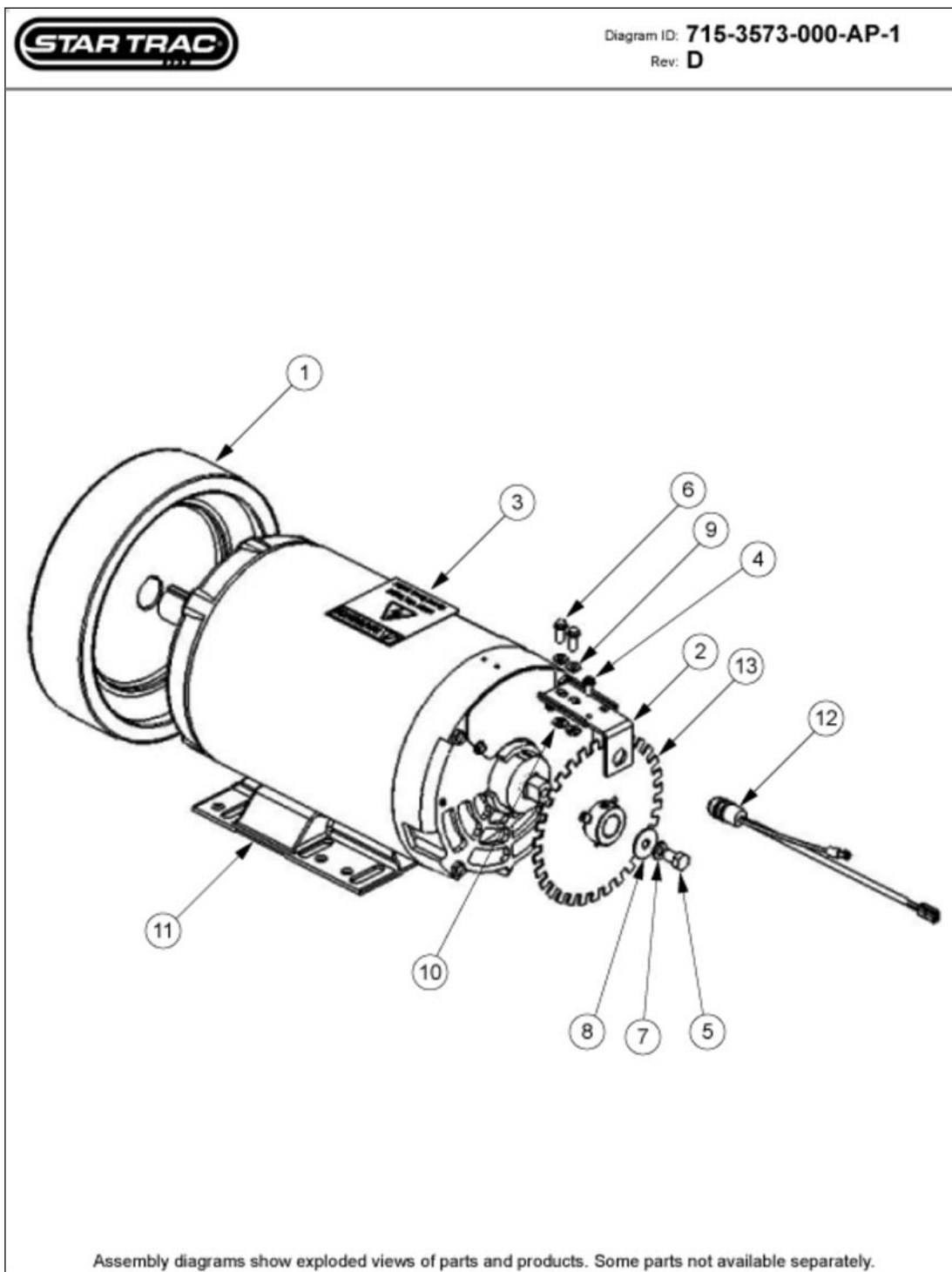
Parts are subject to availability. Part pricing may change with or without notice.  
Check the Star Trac Support Website <http://support.startrac.com> for current part pricing.

October 23, 2009



# CARDIO • Treadmill • E Series Treadmill • E-TR (G1)

## Motor Assy



Slide: 1-1-13-33 • PD ID: 1033 • PROD Link ID: • D ID: 604

October 23, 2009

## Motor Assy

---

<b>Callout</b>	<b>Part Number:</b>	<b>Description</b>
1	<a href="#">020-6562</a>	FLYWHEEL PULLEY, AC MOTOR
2	<a href="#">020-6563</a>	BRACKET, RPM SENSOR, SUPPORT
3	<a href="#">050-1903</a>	LABEL, WARNING, HIGH VOLTAGE
4	<a href="#">110-0180</a>	<b>*OBSOLETE*</b>
5	<a href="#">110-0580</a>	SCREW, 1/4-20X1/2" HHCS
6	<a href="#">110-3429</a>	SCREW, 8-32X1/2", HHW, TAPTITE
7	<a href="#">120-0420</a>	WASHER, 1/4" LOCK
8	<a href="#">120-0425</a>	WASHER, FLAT, 1/4X7/8ODX.047
9	<a href="#">120-3266</a>	WASHER, #8, SHOULDER, NYLON
10	<a href="#">120-3267</a>	WASHER, #8, RETAINER, NYLON
11	<a href="#">260-0934</a>	MOTOR, DRIVE, 220V 5HP AC
12	<a href="#">560-0069</a>	RPM SENSOR, W/GRND WIRE, AC PT
13	<a href="#">715-3574</a>	RPM DISK, 31 SLOT, AC MOTOR


---

Parts are subject to availability. Part pricing may change with or without notice.  
Check the Star Trac Support Website <http://support.startrac.com> for current part pricing.

October 23, 2009

CARDIO • Treadmill • E Series Treadmill • E-TR (G1)


Power Cords













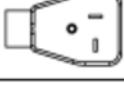









**TREADMILLS**

### Power Cord Assy's

9-xxxx-x**USA**xx



110V      220V

<b>USA OUL</b>	①	Power Cord 110V NEMA 5-20		
<b>USA OUL JPN</b>	②	Power Cord 220V NEMA 6-15		
<b>OCE</b>	③	Power Cord 220V CEE 7/7		
<b>AUS</b>	④	Power Cord 220V Australia		
<b>UKI</b>	⑤	Power Cord 220V BS1363 fused		
<b>USA OUL</b>	⑥	Power Cord 110V - Right Angle Plug NEMA 5-20rt		
<b>USA OUL JPN</b>	⑦	Power Cord 220V - Right Angle Plug NEMA 6-15rt		
<b>UKI</b>	⑧	Power Cord 220V - Right Angle Plug CEE 7/7		
<b>USA</b>	⑨	Power Cord, Home Units 110V NEMA 5-15		
<b>USA</b>	⑩	Power Cord, Home Units 110V - Right Angle Plug NEMA 5-15rt		

DO NOT MODIFY THE POWER CORD THAT CAME WITH YOUR TREADMILL. USE THE SAME TYPE. DO NOT USE A HOME MODEL PLUG ON A COMMERCIAL TREADMILL. CONTACT STAR TRAC FOR INFO.

Power Cords

---

<b>Callout</b>	<b>Part Number:</b>	<b>Description</b>
1	<a href="#">715-3456-KT</a>	ASSY, PW CORD, NEMA 5-20, 110V
2	<a href="#">712-3002</a>	ASSY, PW CORD, NEMA 6-20, 220V
3	<a href="#">712-3033</a>	POWER CORD, ASSY,230V,EUROPEAN
4	<a href="#">712-3046</a>	POWER CORD, 220V, AUS
5	<a href="#">712-3035</a>	POWER CORD, 230V,UK/IRELAND
6	<a href="#">715-3456-001</a>	<b>*ALT* USE PART # 715-3456-001-KT</b>
7	<a href="#">712-3002-001</a>	POWER CORD, 220V, RIGHT ANGLE
8	<a href="#">715-3570</a>	ASSY, POWERCORD, 230V, EUR, RT
10	<a href="#">715-3456-002-KT</a>	KIT, ASSY,PWCORD,NEMA5-15P,

---

Parts are subject to availability. Part pricing may change with or without notice.  
Check the Star Trac Support Website <http://support.startrac.com> for current part pricing.

October 23, 2009